

## Horizontal Slider

---

Section Details : BX Frame, 4-9/16 Jamb

Section Details : Nailfin Frame, 4-9/16 Jamb

Section Details : Brickmold Frame, 6-9/16 Jamb

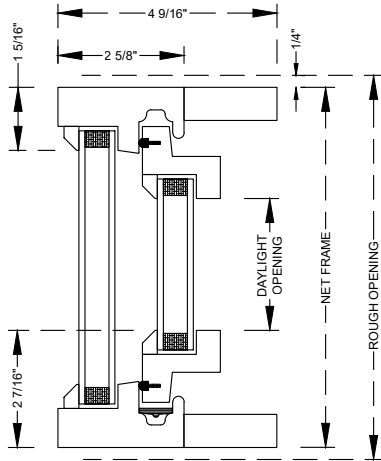
Section Details : Nailfin Frame, 6-9/16 Jamb

Section Details : Frame & Vent with SDL Options

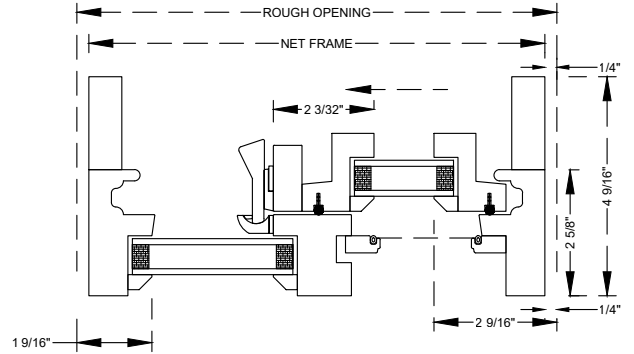
## Horizontal Slider

### Section Details : BX Frame, 4-9/16" Jambs

SCALE: 3" = 1'-0"

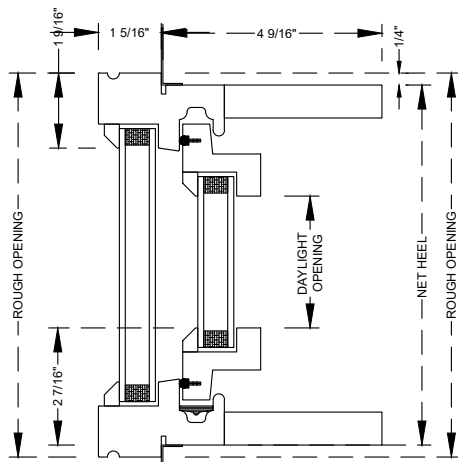


Head & Sill

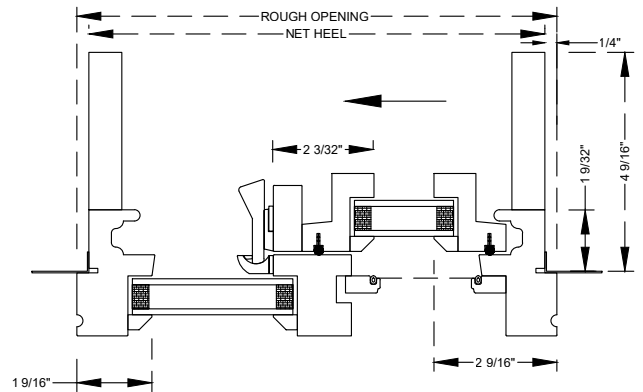


Jambs & Interlock

### Section Details : Nailfin Frame, 4-9/16" Jambs



Head & Sill

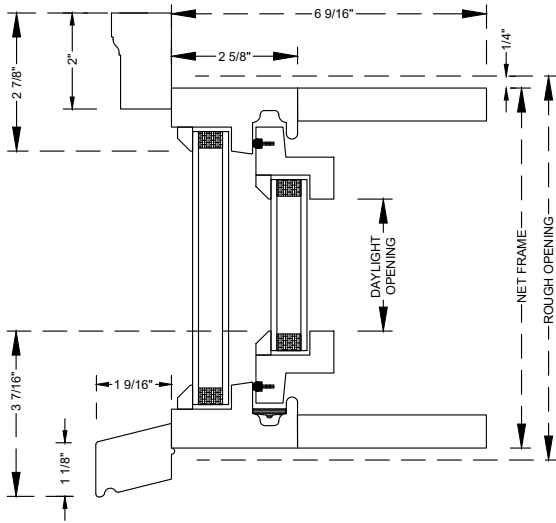


Jambs & Interlock

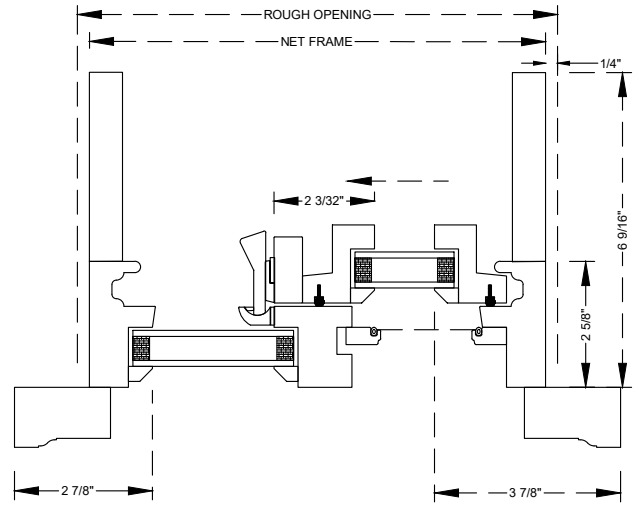
# Horizontal Slider

## Section Details : Brickmold Frame, 6-9/16" Jambs

SCALE: 3" = 1'-0"

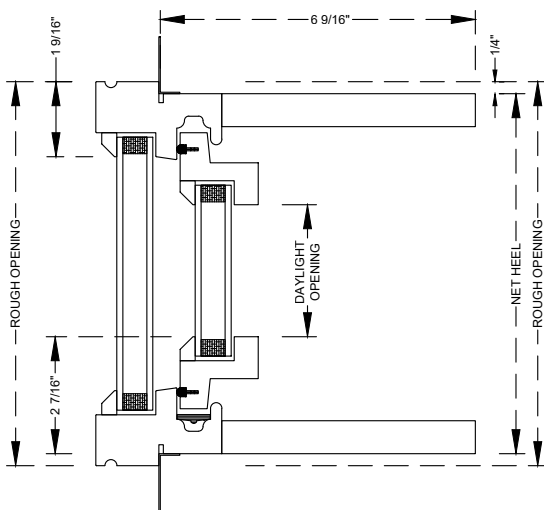


Head & Sill

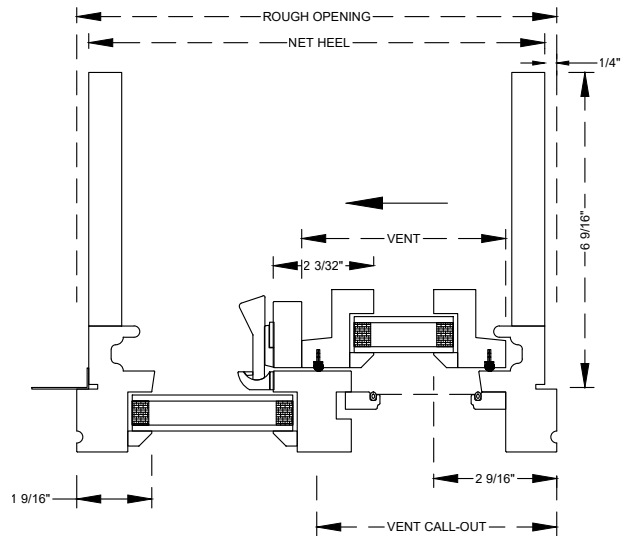


Jambs & Interlock

## Section Details : Nailfin Frame, 6-9/16" Jambs



Head & Sill

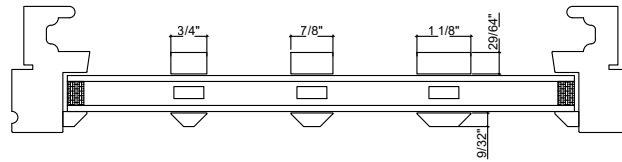


Jambs & Interlock

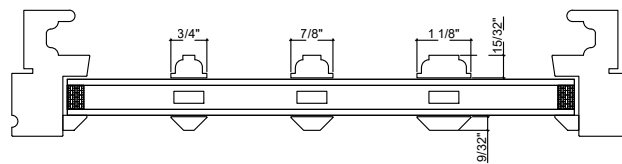
## Horizontal Slider

### Section Details : SDL Options on Fixed

SCALE: 3" = 1'-0"

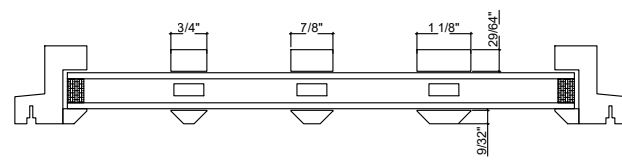


Square Detail Interior/Bevel Bead Exterior

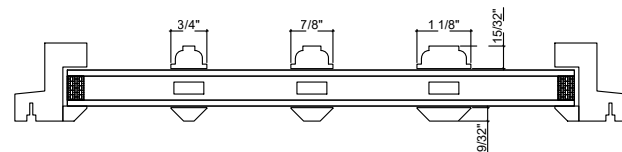


1/2" Long Bead Interior/Bevel Bead Exterior

### Section Details : SDL Options on Vent



Square Detail Interior/Bevel Bead Exterior



1/2" Long Bead Interior/Bevel Bead Exterior