

# CLAD Picture-Section Drawings



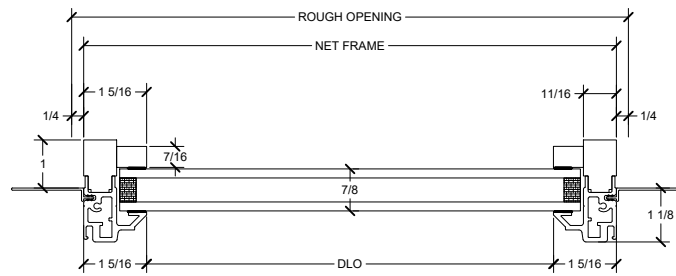
---

Section Details : Minimum 1” Jamb, Nail Fin .....	2
Section Details : 4 9/16” Jamb, Nail Fin .....	3
Section Details : 6 9/16” Jamb, Nail Fin .....	4
Section Details : SDL & Glazing Bead Options .....	5
Section Details : Mull Sections, Minimum 1” Jamb .....	6
Section Details : Mull Sections, Jambs Greater Than 1” .....	7
Product Specifications .....	8

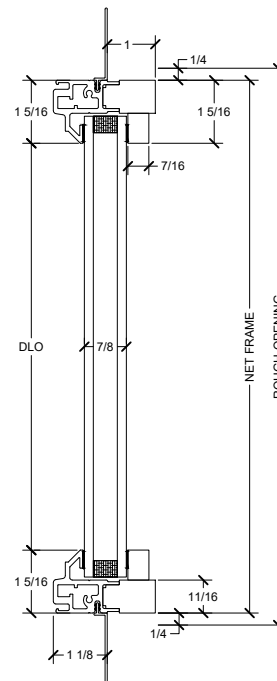
## CLAD Picture

Section Details : Minimum 1" Jamb, Nail Fin

SCALE: 3" = 1'-0"



Jambs

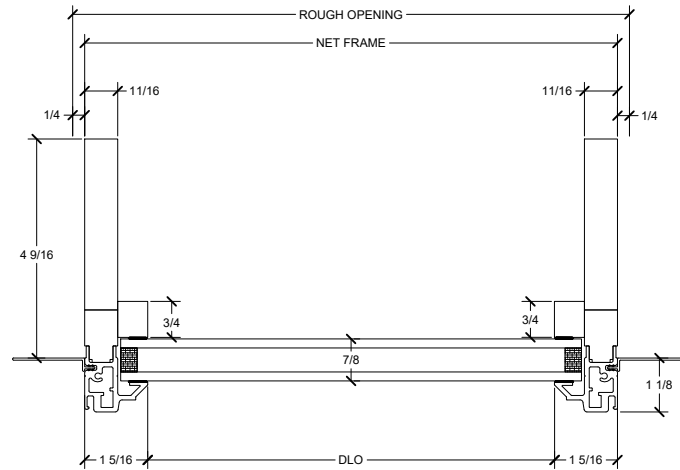


Head Jamb & Sill

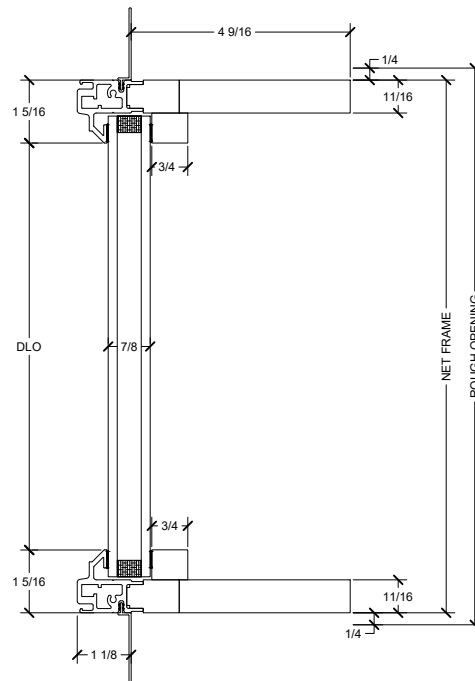
## CLAD Picture

Section Details : 4 9/16" Jamb, Nail Fin

SCALE: 3" = 1'-0"



Jambs

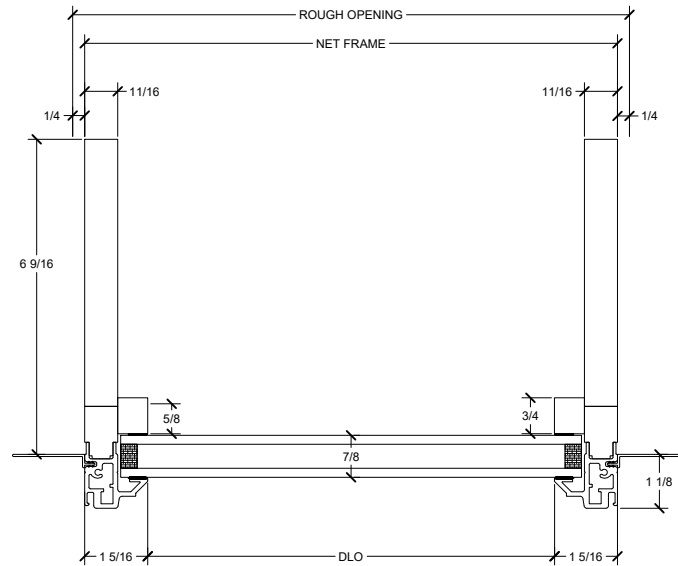


Head Jamb & Sill

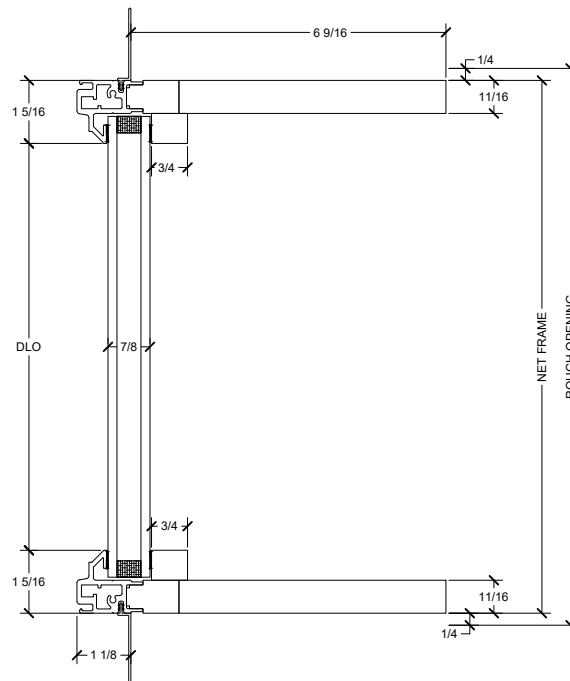
## CLAD Picture

Section Details : 6 9/16" Jamb, Nail Fin

SCALE: 3" = 1'-0"



Jambs



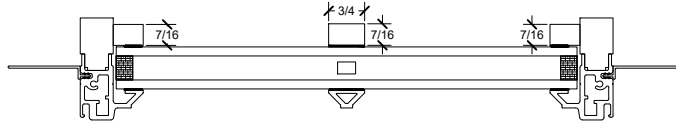
Head Jamb & Sill

# CLAD Picture

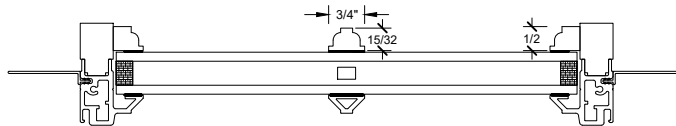
## Section Details : SDL & Glaze Bead Options

SCALE: 3" = 1'-0"

### Minimum 1" Jamb

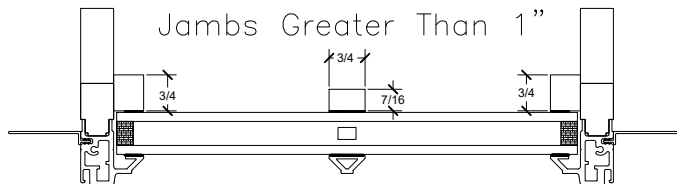


Square Detail Interior SDL–Square Interior Glaze Bead/Bevel Bead Exterior



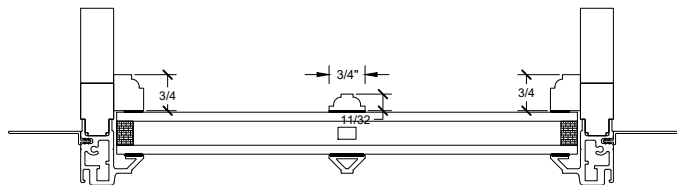
Long Bead Interior SDL–Square Interior Glaze Bead/Bevel Bead Exterior

### Jamb Greater Than 1"



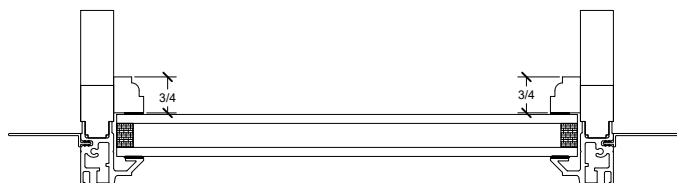
Square Detail Interior SDL–Square Interior Glaze Bead/Bevel Bead Exterior

(Note interior perimeter glaze bead depth varies from depths used on minimum jamb)



Long Bead Interior SDL–Square Interior Glaze Bead/Bevel Bead Exterior

(Note interior perimeter glaze bead depth varies from depths used on minimum jamb)



Long Bead Interior Bead–Square Interior Glaze Bead/Bevel Bead Exterior–No SDL

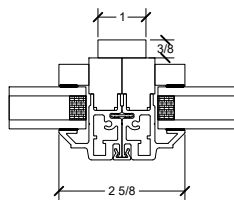
(Note interior perimeter glaze bead depth varies from depths used on minimum jamb)

# CLAD Picture

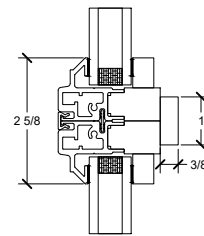
## Section Details : Mull Sections, Minimum 1" Jamb

SCALE: 3" = 1'-0"

### Mulling Clad Picture (Minimum 1" Jamb) to Clad Picture (Minimum 1" Jamb)

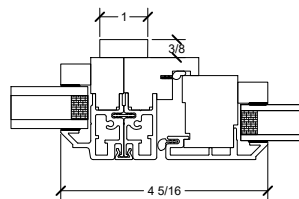


Vertical Mull

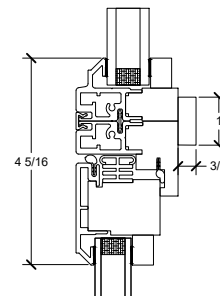


Horizontal Mull

### Mulling Clad Picture (Minimum 1" Jamb) to Clad Casement (Minimum 1" Jamb)



Vertical Mull



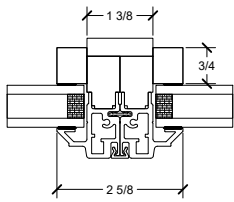
Horizontal Mull

# CLAD Picture

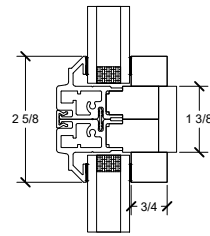
## Section Details : Mull Sections, Jambs Greater Than 1"

SCALE: 3" = 1'-0"

### Mulling Clad Picture to Clad Picture (Jambs Greater Than 1")

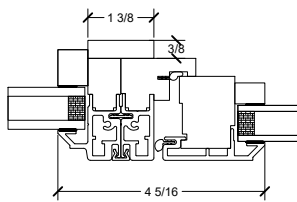


Vertical Mull

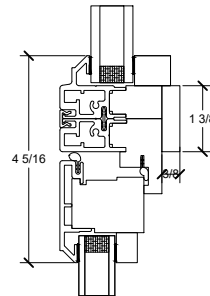


Horizontal Mull

### Mulling Clad Picture to Clad Casement (Jambs Greater Than 1")



Vertical Mull



Horizontal Mull